



**Augenti**<sup>®</sup>  
LIGHTING



PLAIN





THE  
DETAILS  
MAKE THE  
DIFFERENCE

**PLAIN** collection

# PLAIN collection

Abbiamo progettato **Plain** partendo da dei punti chiave imprescindibili: **installazione rapida e sicura, elevata dissipazione, protezione anti-condensa, manutenzione semplice e veloce**. Gli accorgimenti tecnici del prodotto permettono l'installazione e l'utilizzo di **Plain** in molteplici progetti ed in totale sicurezza, garantendone praticità, adattabilità e **durata nel tempo grazie alla struttura ed ai materiali utilizzati**. Inoltre, la miscelazione e la pulizia dei fasci luminosi, ottenuti attraverso **un'accurata scelta delle ottiche**, conferiscono a **Plain** gli elementi definitivi per renderlo un prodotto **largamente collocabile ed altamente performante**.

We have designed **Plain** starting from essential key-points: **quick and safe installation, high dissipation, anti-condensation protection, easy and fast maintenance**. The technical expedients of the fixture allow the installation and the usage of **Plain** in different projects and in total security, granting suitability, **adaptability and long lasting** thanks to the structure and the used materials. Moreover, the mixing and the cleaning of the lighting beams, **obtained through a careful choice of the optics**, give to **Plain** the definitive elements to be a **product widely placeable and highly performing**.

Nous avons conçu **Plain** en partant de quelques points clés essentiels : **installation rapide et sûr, dissipation élevée, protection anti-condensation, maintenance rapide et facile**. Les caractéristiques techniques du produit permettent l'installation et l'utilisation de **Plain** dans de multiples projets et en toute sécurité, garantissant sa praticité, adaptabilité et **durabilité grâce à la structure et aux matériaux utilisés**. De plus, le mélange et le nettoyage des faisceaux lumineux, **obtenus grâce à des choix d'optique**, donnent à **Plain** les éléments définitifs pour en faire un produit **largement placable et hautement performant**.



# PLAIN

collection

Augenti®

5/plain GROUND RECESSED

# PLAIN

collection

**AcquaStop** è una speciale lavorazione all'interno del pressacavo che, attraverso varie fasi di resinatura, crea una vera e propria barriera, sigillando la lampada in maniera definitiva e prevenendo quindi la formazione di condensa all'interno di essa.

**AcquaStop** is a special process inside the cable gland which, through different phases of resination, creates a real barrier, sealing the fixture in a definitive way and preventing the development of condensation inside.

**Acquastop** est un procédé spécifique à l'intérieur du presse-étoupe, qui grâce à différentes mises en oeuvres de couches d'étanchéités, crée une barrière définitive à la formation de condensation à l'intérieur du luminaire.

# acquaSTOP



acquaSTOP



PLAIN

collection



Augenti®

7/plain GROUND RECESSED

# PLAIN



anello in **acciaio inox 316L**

stainless steel ring 316L



corpo **illuminante**

lighting body

carter in tecnopolimero  
per **elettronica**

technopolymer casing  
for electronic parts



**controcassa**

outer casing





# Carter per elettronica separato dal corpo illuminante

## Carter for electronics separated from the lighting body

- **MIGLIOR ISOLAMENTO TERMICO DELL'ELETTRONICA**  
BETTER THERMAL INSULATION OF ELECTRONICS

- **FACILE MANUTENZIONE**  
EASY MAINTENANCE



- **INSTALLAZIONE E MANUTENZIONE SENZA APERTURA DEL CORPO ILLUMINANTE**  
INSTALLATION AND MAINTENANCE WITHOUT OPENING LIGHTING BODY

- **VITI INOX CON DISPOSITIVI ANTI CORROSIONE**  
STAINLESS STEEL SCREWS WITH ANTI-CORROSION DEVICES

# PLAIN

BEAM

NB

MB

WB

SW

AB

Augenti



**Augenti**

11/plain GROUND RECESSED

# Fixture Specifications

Protection . IP 67 - IK 10

Body . Die Casting Aluminium

Carter/Box . Tecnopolymer

Frame . Steel AISI 316L

Screen . Extra-clear transparent Glass 15mm

Seals . Silicon rubber

Screws . Stainless steel A2 with anti-corrosion devices



## Finishes



STEEL FRAME

## Technical Data

- NB** FASCIO STRETTO 15° - NARROW BEAM 15°
- MB** FASCIO MEDIO 25° - MEDIUM BEAM 25°
- WB** FASCIO LARGO 36° - WIDE BEAM 36°
- SW** FASCIO SUPER LARGO 60° - SUPER WIDE BEAM 60°
- AB** ASIMMETRICO - ASYMMETRIC

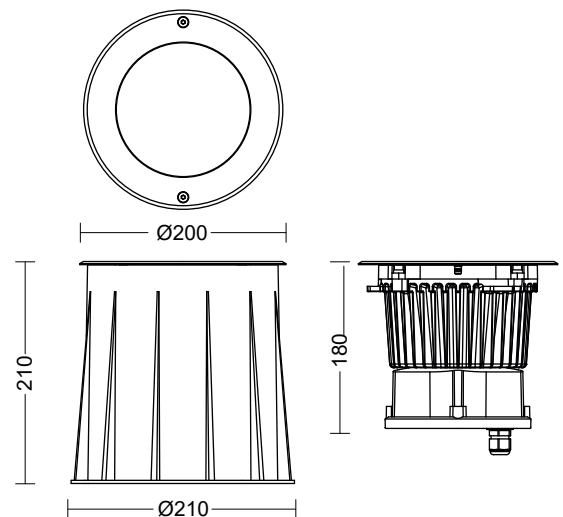
2700K - 3000K - 4000K

**DRIVER INCORPORATO - BUILT-IN DRIVER**

### Specifications



12/augentilighting.it



Quote espressa in millimetri "mm"  
Share expressed in millimeters "mm"

Sizes . H210 x Ø210 x Ø ring 200



website-link

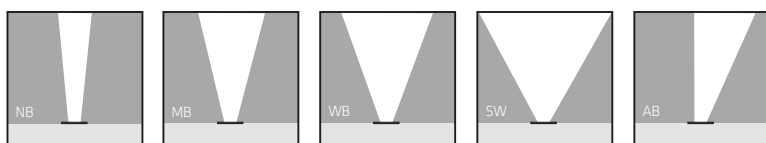
Incasso terra / Ground recessed / Encastré au sol

# PLAIN

led WHITE

## LED SYSTEM WITH BUILT-IN DRIVER - ON/OFF

code	beam	class	W	source	fixture	RCT LED	CRI
<b>3200R</b> /HC50NB99	 NB Spot/15°	II	20W	2565 lm	1805 lm	2700K	80
<b>3200R</b> /WC50NB99	 NB Spot/15°	II	20W	2700 lm	1900 lm	3000K	80
<b>3200R</b> /NC50NB99	 NB Spot/15°	II	20W	2850 lm	2000 lm	4000K	80
<b>3200R</b> /HC50MB99	 MB Flood/25°	II	20W	2565 lm	1843 lm	2700K	80
<b>3200R</b> /WC50MB99	 MB Flood/25°	II	20W	2700 lm	1940 lm	3000K	80
<b>3200R</b> /NC50MB99	 MB Flood/25°	II	20W	2850 lm	2040 lm	4000K	80
<b>3200R</b> /HC50WB99	 WB Wide Flood/36°	II	20W	2565 lm	1900 lm	2700K	80
<b>3200R</b> /WC50WB99	 WB Wide Flood/36°	II	20W	2700 lm	2000 lm	3000K	80
<b>3200R</b> /NC50WB99	 WB Wide Flood/36°	II	20W	2850 lm	2100 lm	4000K	80
<b>3200R</b> /HC50SW99	 SW Super Wide 60°	II	20W	2565 lm	1900 lm	2700K	80
<b>3200R</b> /WC50SW99	 SW Super Wide 60°	II	20W	2700 lm	2000 lm	3000K	80
<b>3200R</b> /NC50SW99	 SW Super Wide 60°	II	20W	2850 lm	2100 lm	4000K	80
<b>3200R</b> /HC50AB99	 AB Asymmetric	II	20W	2565 lm	1757 lm	2700K	80
<b>3200R</b> /WC50AB99	 AB Asymmetric	II	20W	2700 lm	1850 lm	3000K	80
<b>3200R</b> /NC50AB99	 AB Asymmetric	II	20W	2850 lm	1950 lm	4000K	80

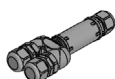


## Accessories informazioni sugli accessori sul nostro sito web information about accessories on our website

CONNECTOR  
IP68 2 ways



CONNECTOR  
IP68 3 ways



## Specifications

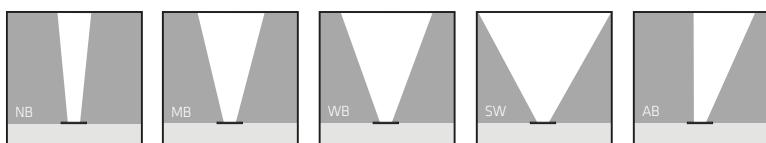


# PLAIN

led WHITE

## LED SYSTEM WITH BUILT-IN DRIVER - DALI-2 INTEGRATED

code	beam	class	W	source	fixture	RCT LED	CRI
<b>3200R</b> /HD50NB99	 NB Spot/15°	II	20W	2565 lm	1805 lm	2700K	80
<b>3200R</b> /WD50NB99	 NB Spot/15°	II	20W	2700 lm	1900 lm	3000K	80
<b>3200R</b> /ND50NB99	 NB Spot/15°	II	20W	2850 lm	2000 lm	4000K	80
<b>3200R</b> /HD50MB99	 MB Flood/25°	II	20W	2565 lm	1843 lm	2700K	80
<b>3200R</b> /WD50MB99	 MB Flood/25°	II	20W	2700 lm	1940 lm	3000K	80
<b>3200R</b> /ND50MB99	 MB Flood/25°	II	20W	2850 lm	2040 lm	4000K	80
<b>3200R</b> /HD50WB99	 WB Wide Flood/36°	II	20W	2565 lm	1900 lm	2700K	80
<b>3200R</b> /WD50WB99	 WB Wide Flood/36°	II	20W	2700 lm	2000 lm	3000K	80
<b>3200R</b> /ND50WB99	 WB Wide Flood/36°	II	20W	2850 lm	2100 lm	4000K	80
<b>3200R</b> /HD50SW99	 SW Super Wide 60°	II	20W	2565 lm	1900 lm	2700K	80
<b>3200R</b> /WD50SW99	 SW Super Wide 60°	II	20W	2700 lm	2000 lm	3000K	80
<b>3200R</b> /ND50SW99	 SW Super Wide 60°	II	20W	2850 lm	2100 lm	4000K	80
<b>3200R</b> /HD50AB99	 AB Asymmetric	II	20W	2565 lm	1757 lm	2700K	80
<b>3200R</b> /WD50AB99	 AB Asymmetric	II	20W	2700 lm	1850 lm	3000K	80
<b>3200R</b> /ND50AB99	 AB Asymmetric	II	20W	2850 lm	1950 lm	4000K	80

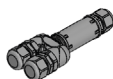


## Accessories informazioni sugli accessori sul nostro sito web information about accessories on our website

CONNECTOR  
IP68 2 ways



CONNECTOR  
IP68 3 ways



## Specifications



# PLAIN

collection

Augenti®

15/plain GROUND RECESSED

# Fixture Specifications

Protection . IP 67 - IK 10

Body . Die Casting Aluminium

Carter/Box . Tecnopolymer

Frame . Steel AISI 316L

Screen . Extra-clear transparent Glass 15mm

Seals . Silicon rubber

Screws . Stainless steel A2 with anti-corrosion devices



## Finishes



STEEL FRAME

## Technical Data

- NB** FASCIO STRETTO 16° - NARROW BEAM 16°
- MB** FASCIO MEDIO 33° - MEDIUM BEAM 33°
- WB** FASCIO LARGO 54° - WIDE BEAM 54°
- OB** FASCIO OVALE 25°x60° - OVAL BEAM 25°x60°

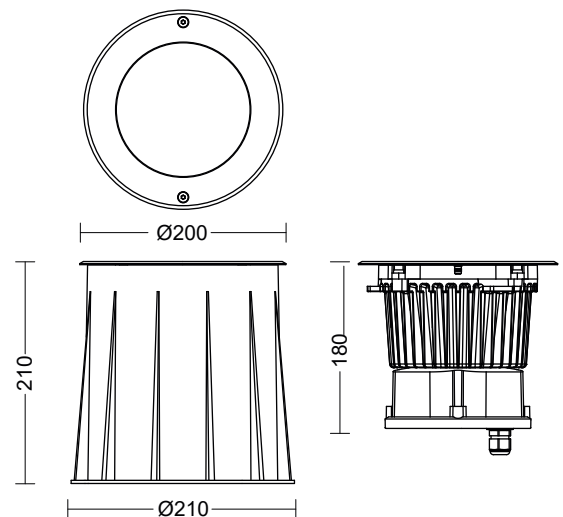
2700K - 3000K - 4000K

**DRIVER INCORPORATO - BUILT-IN DRIVER**

### Specifications



16/augentilighting.it



Quote espressa in millimetri "mm"

Share expressed in millimeters "mm"

Sizes . H210 x Ø210 x Ø ring 200



website-link

Incasso terra / Ground recessed / Encastré au sol

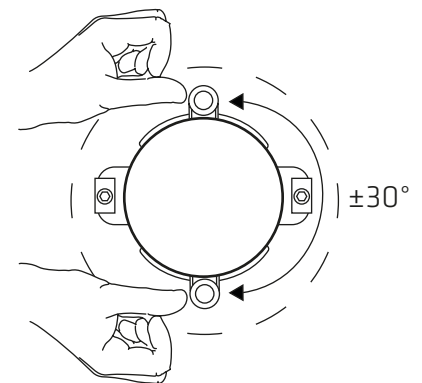
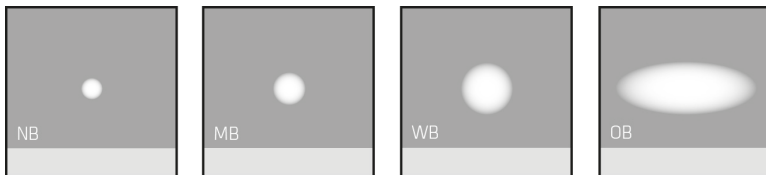


# PLAIN **ADJUSTABLE**

led WHITE

## LED SYSTEM WITH BUILT-IN DRIVER - ON/OFF

code	beam	class	W	source	fixture	RCT LED	CRI
<b>3201R</b> /HC45NB99	 NB Spot/16°	II	18W	2400 lm	1800 lm	2700K	80
<b>3201R</b> /WC45NB99	 NB Spot/16°	II	18W	2400 lm	1800 lm	3000K	80
<b>3201R</b> /NC45NB99	 NB Spot/16°	II	18W	2550 lm	1900 lm	4000K	80
<b>3201R</b> /HC45MB99	 MB Flood/33°	II	18W	2400 lm	1800 lm	2700K	80
<b>3201R</b> /WC45MB99	 MB Flood/33°	II	18W	2400 lm	1800 lm	3000K	80
<b>3201R</b> /NC45MB99	 MB Flood/33°	II	18W	2550 lm	1900 lm	4000K	80
<b>3201R</b> /HC45WB99	 WB Wide Flood/54°	II	18W	2400 lm	1700 lm	2700K	80
<b>3201R</b> /WC45WB99	 WB Wide Flood/54°	II	18W	2400 lm	1700 lm	3000K	80
<b>3201R</b> /NC45WB99	 WB Wide Flood/54°	II	18W	2550 lm	1800 lm	4000K	80
<b>3201R</b> /HC45OB99	 OB Oval 25°x60°	II	18W	2400 lm	1700 lm	2700K	80
<b>3201R</b> /WC45OB99	 OB Oval 25°x60°	II	18W	2400 lm	1700 lm	3000K	80
<b>3201R</b> /NC45OB99	 OB Oval 25°x60°	II	18W	2550 lm	1800 lm	4000K	80

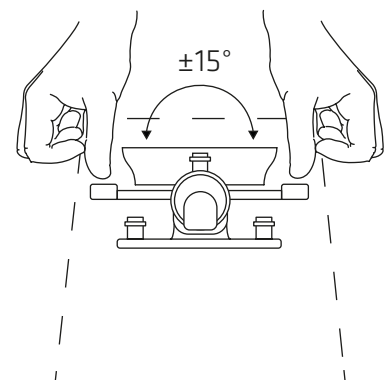
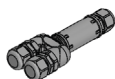


## Accessories informazioni sugli accessori sul nostro sito web information about accessories on our website

CONNECTOR  
IP68 2 ways



CONNECTOR  
IP68 3 ways















## Specifications

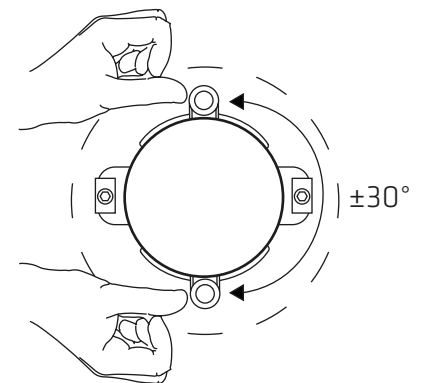
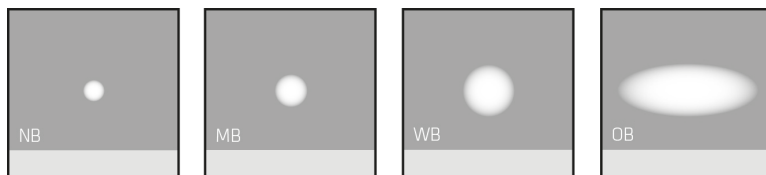


# PLAIN **ADJUSTABLE**

led WHITE

## LED SYSTEM WITH BUILT-IN DRIVER - DALI-2 INTEGRATED

code	beam	class	W	source	fixture	RCT LED	CRI
<b>3201R</b> /HD45NB99	 NB Spot/16°	II	18W	2400 lm	1800 lm	2700K	80
<b>3201R</b> /WD45NB99	 NB Spot/16°	II	18W	2400 lm	1800 lm	3000K	80
<b>3201R</b> /ND45NB99	 NB Spot/16°	II	18W	2550 lm	1900 lm	4000K	80
<b>3201R</b> /HD45MB99	 MB Flood/33°	II	18W	2400 lm	1800 lm	2700K	80
<b>3201R</b> /WD45MB99	 MB Flood/33°	II	18W	2400 lm	1800 lm	3000K	80
<b>3201R</b> /ND45MB99	 MB Flood/33°	II	18W	2550 lm	1900 lm	4000K	80
<b>3201R</b> /HD45WB99	 WB Wide Flood/54°	II	18W	2400 lm	1700 lm	2700K	80
<b>3201R</b> /WD45WB99	 WB Wide Flood/54°	II	18W	2400 lm	1700 lm	3000K	80
<b>3201R</b> /ND45WB99	 WB Wide Flood/54°	II	18W	2550 lm	1800 lm	4000K	80
<b>3201R</b> /HD45OB99	 OB Oval 25°x60°	II	18W	2400 lm	1700 lm	2700K	80
<b>3201R</b> /WD45OB99	 OB Oval 25°x60°	II	18W	2400 lm	1700 lm	3000K	80
<b>3201R</b> /ND45OB99	 OB Oval 25°x60°	II	18W	2550 lm	1800 lm	4000K	80

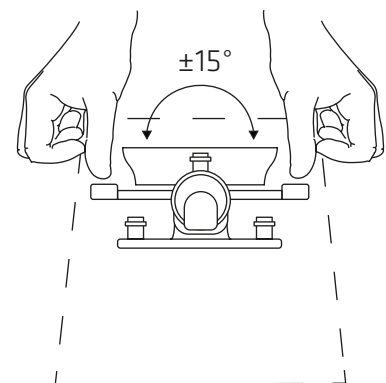
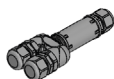


## Accessories informazioni sugli accessori sul nostro sito web information about accessories on our website

CONNECTOR  
IP68 2 ways



CONNECTOR  
IP68 3 ways



## Specifications





# PLAIN

collection

Augenti®

19/plain GROUND RECESSED

# PLAIN

ADJUSTABLE

BEAM

NB

MB

WB

OB



**Augenti**<sup>®</sup>

21/plain GROUND RECESSED

**PLAIN**

GOOD

INSTALLATION

BY **Augenti**<sup>®</sup>  
LIGHTING





# Augenti<sup>®</sup>

LIGHTING



**AUGENTI LIGHTING S.R.L.** UNIPERSONALE

Via Francesco Lana, 31 - 25065 Lumezzane (BS) Italy - tel: (+39) 030 7282524 - fax: (+39) 030 7281879  
info@augentilighting.it - www.augentilighting.it