



Augenti<sup>®</sup>  
LIGHTING

# MODDO WALL





LIGHT  
UP  
YOUR  
WALLS

**MODO** WALL

# MODO WALL

Linea minimale e **dimensioni compatte** conferiscono a **Modo** la possibilità di diventare un **semplice ma funzionale wallwasher a parete verticale o orizzontale**. Combinato in un **sistema modulare** componibile in entrambe le direzioni planari, **Modo** si presta ad essere un **prodotto** estremamente **adattabile**. **Un sistema**, quindi, più che un singolo volume, **in grado di evolvere** in varianti geometriche e ottiche e di supportare le **molteplici esigenze** del lighting designer.

Minimal lines and **compact dimensions** give **Modo** the possibility of becoming a **simple but functional vertical or horizontal wall washer**.

Combined in a **modular system** in both planar directions, **Modo** lends itself to being an extremely **adaptable product**.

**A system**, therefore, more than a single volume, **able to evolve** in geometric and optical variants and to support the **multiple needs** of the lighting designer.

La ligne minimale et les **dimensions compactes** donnent à **Modo** la possibilité de devenir un **lèche-mur vertical ou horizontal simple mais fonctionnel**.

Combiné dans **un système modulaire** dans les deux directions planes, **Modo** se prête à être un **produit** extrêmement **adaptable**.

**Un système**, donc, plus qu'un seul volume, **capable d'évoluer** dans des variantes géométriques et optiques et de répondre aux **multiples besoins** du concepteur lumière.



MODO  
WALL

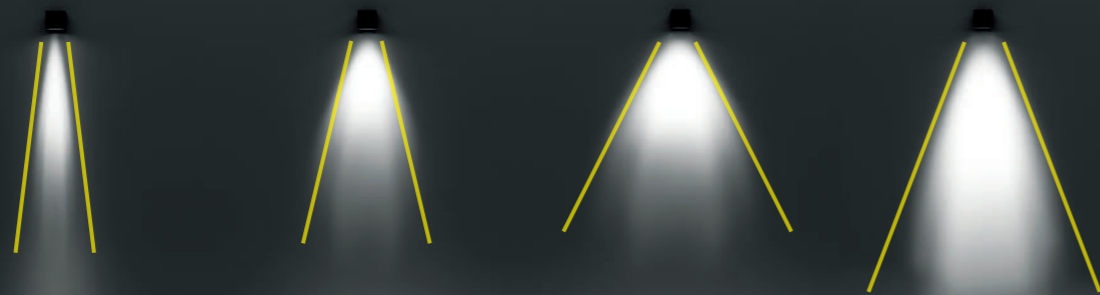
# MODO WALL

Module SINGLE EMISSION



MODO 601W

light DIFFUSION



**NB**  
Single/12°

**MB**  
Single/28°

**WB**  
Single/50°

**AB**  
Single/Asymmetric



MODO  
601W

# MODO WALL

Double Module DOUBLE EMISSION



MODO 602W

light DIFFUSION



NW

Dual/12°+50°

NB

Dual/12°

MB

Dual/28°

WB

Dual/50°

AB

Dual/Asymmetric



MODO  
602W

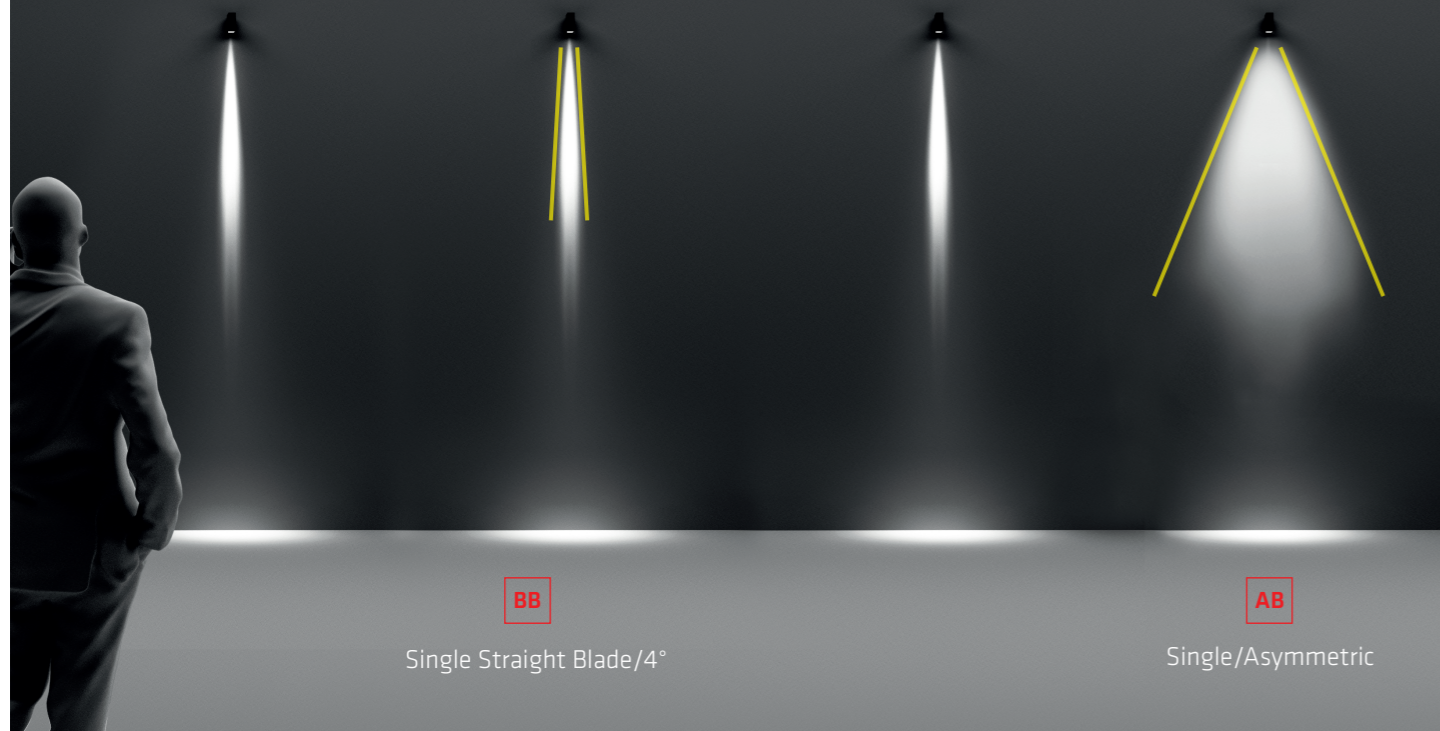
# MODO WALL

Module Single EMISSION BLADE OF LIGHT



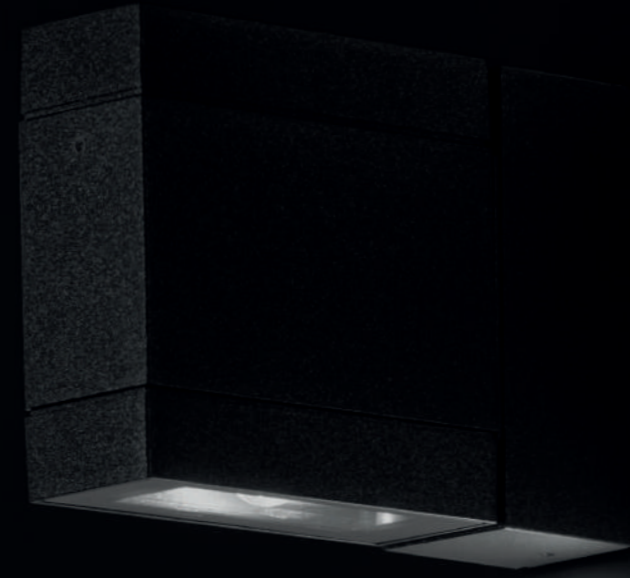
MODO 603W

light DIFFUSION

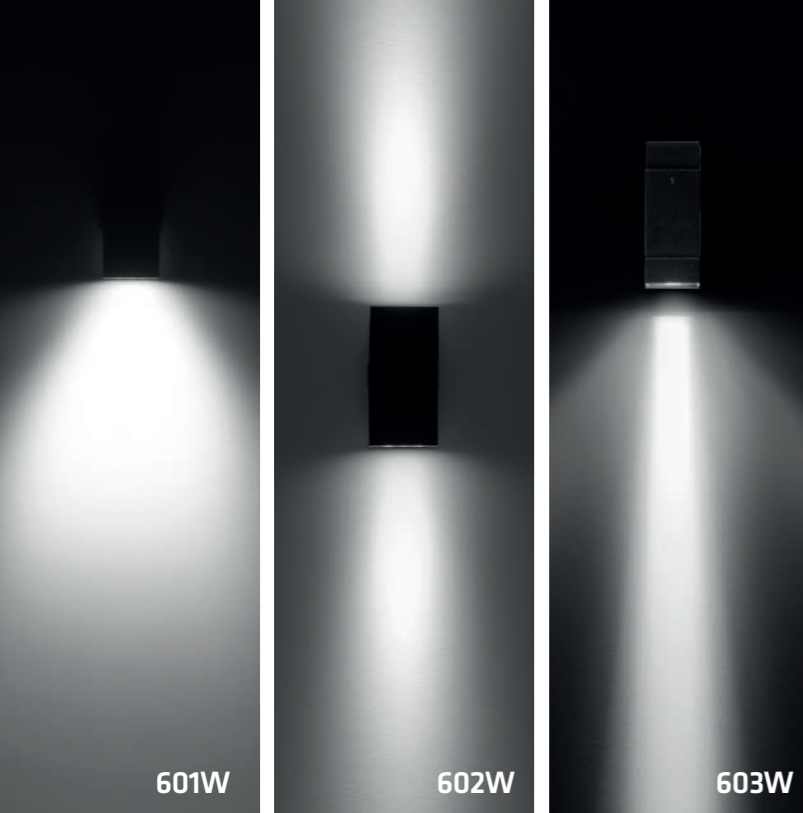


BB  
Single Straight Blade/4°

AB  
Single/Asymmetric



MODO  
603W



# Fixture Specifications

Protection . IP 65 - IK 07

Body . Die-cast aluminium

Screen . Tempered Extra-clear Glass 4mm with silk-screen printing

Seals . Closed-cell EPDM rubber

Screws . Stainless steel A2

Paint / Finishing . Anti-corrosive UV stabilised polyester powder

## MODO 601W

Module SINGLE EMISSION - led WHITE

LED SYSTEM WITH BUILT-IN DRIVER

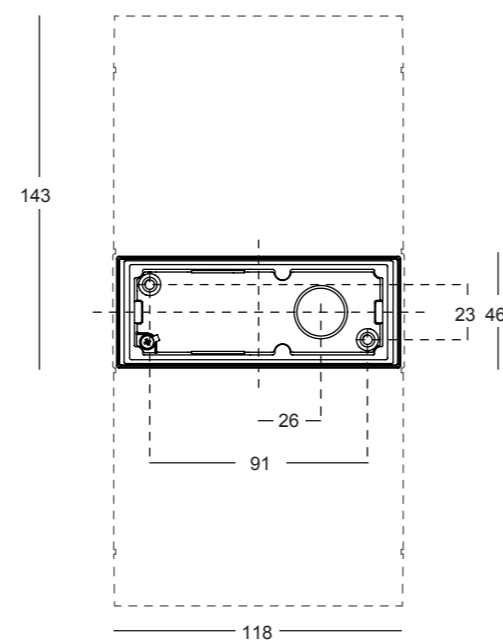
code	beam	class	W	source	fixture	CCT LED	CRI
<b>601W1</b> /WP70NB	NB Single/12°	I	8W	790 lm	662 lm	3000 K	80
<b>601W1</b> /NP70NB	NB Single/12°	I	8W	900 lm	741 lm	4000 K	80
<b>601W1</b> /WP70MB	MB Single/28°	I	8W	790 lm	656 lm	3000 K	80
<b>601W1</b> /NP70MB	MB Single/28°	I	8W	900 lm	738 lm	4000 K	80
<b>601W1</b> /WP70WB	WB Single/50°	I	8W	790 lm	643 lm	3000 K	80
<b>601W1</b> /NP70WB	WB Single/50°	I	8W	900 lm	726 lm	4000 K	80
<b>601W1</b> /WP70AB	AB Single/Asymmetric	I	8W	790 lm	660 lm	3000 K	80
<b>601W1</b> /NP70AB	AB Single/Asymmetric	I	8W	900 lm	739 lm	4000 K	80

## Finishes


## Application

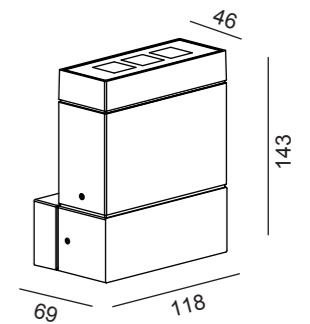

## Assembly

Alimentazione / Main Supply



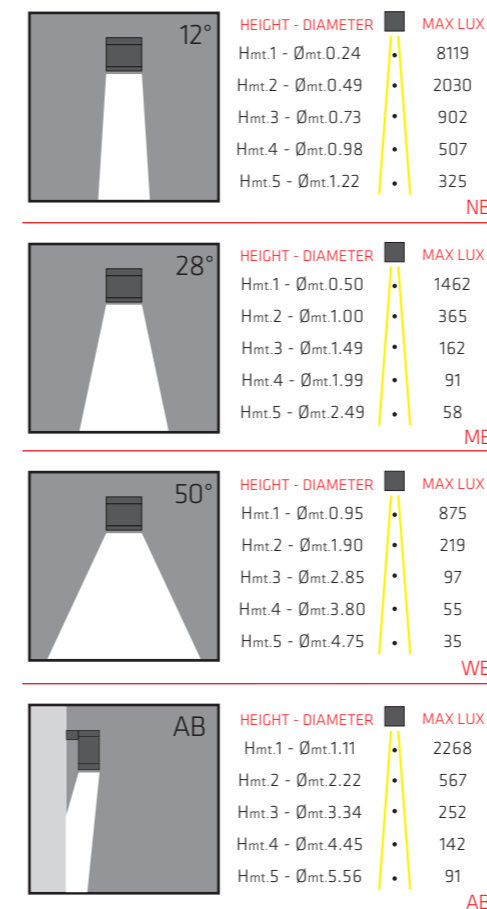
Parete / Wall / Mur

POSSIBLE TO INSTALL IN BOTH DIRECTIONS



Sizes . H 143 x L 118 x W 69

Assembly / Usage  
Wall installation



## Specifications

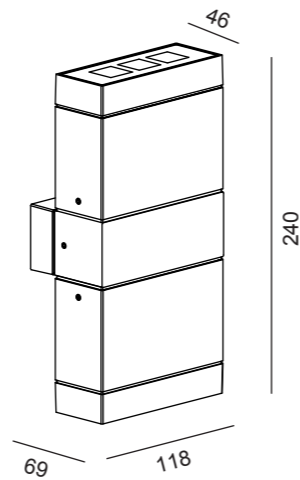
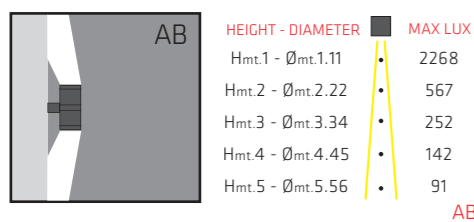
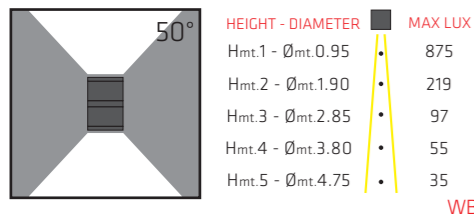
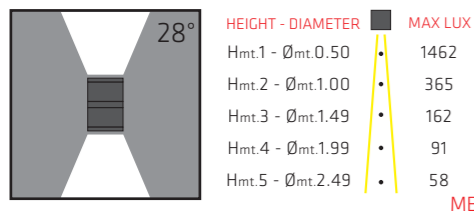
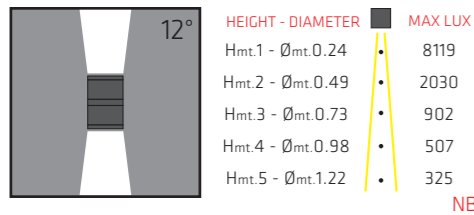


Input Supply 220-240Vac 50/60Hz

# MODO 602W

Double Module **DOUBLE EMISSION** - led WHITE  
LED SYSTEM WITH BUILT-IN DRIVER

code	beam	class	W	source	fixture	CCT LED	CRI
<b>602W1</b> /WP70NB	NB Dual/12°	I	16W	1580 lm	1324 lm	3000 K	80
<b>602W1</b> /NP70NB	NB Dual/12°	I	16W	1800 lm	1482 lm	4000 K	80
<b>602W1</b> /WP70MB	MB Dual/28°	I	16W	1580 lm	1312 lm	3000 K	80
<b>602W1</b> /NP70MB	MB Dual/28°	I	16W	1800 lm	1476 lm	4000 K	80
<b>602W1</b> /WP70WB	WB Dual/50°	I	16W	1580 lm	1286 lm	3000 K	80
<b>602W1</b> /NP70WB	WB Dual/50°	I	16W	1800 lm	1452 lm	4000 K	80
<b>602W1</b> /WP70AB	AB Dual/Asymmetric	I	16W	1580 lm	1300 lm	3000 K	80
<b>602W1</b> /NP70AB	AB Dual/Asymmetric	I	16W	1800 lm	1480 lm	4000 K	80
<b>602W1</b> /WP70NW	NW Dual/12°+50°	I	16W	1580 lm	1305 lm	3000 K	80
<b>602W1</b> /NP70NW	NW Dual/12°+50°	I	16W	1800 lm	1467 lm	4000 K	80



Sizes . H 240 x L 118 x W 69



Assembly / Usage  
Wall installation

## Specifications



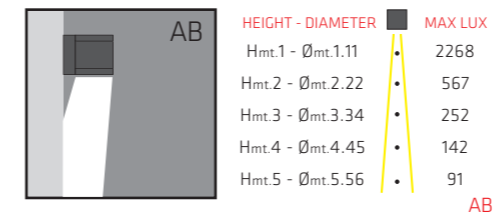
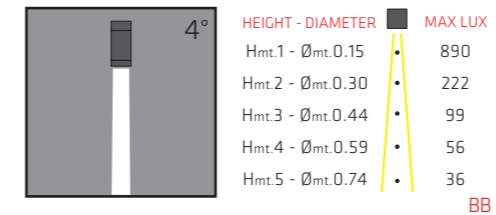
Input Supply 220-240Vac 50/60Hz

Parete / Wall / Mur

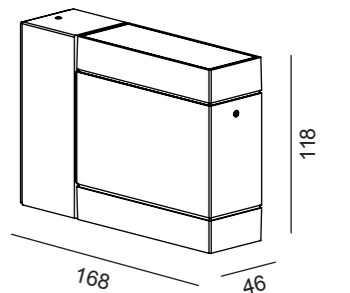
# MODO 603W

Module **SINGLE EMISSION BLADE OF LIGHT** - led WHITE  
LED SYSTEM WITH BUILT-IN DRIVER

code	beam	class	W	source	fixture	CCT LED	CRI
<b>603W1</b> /WP70BB	BB Single Straight Blade/4°	I	3.5W	260 lm	237 lm	3000 K	80
<b>603W1</b> /NP70BB	BB Single Straight Blade/4°	I	3.5W	300 lm	278 lm	4000 K	80
<b>603W1</b> /WP70AB	AB Single/Asymmetric	I	8W	790 lm	660 lm	3000 K	80
<b>603W1</b> /NP70AB	AB Single/Asymmetric	I	8W	900 lm	739 lm	4000 K	80



POSSIBLE TO INSTALL IN BOTH DIRECTIONS



Sizes . H 118 x L 46 x W 168



Assembly / Usage  
Wall installation

## Specifications



Input Supply 220-240Vac 50/60Hz

13/modo WALL





# MODDO

601W

BEAM **NB** **MB** **WB** **AB**

minimal line  
compact dimensions  
modular system



# MODDO 602W

BEAM **NB** **MB** **WB** **AB** **NW**

different product  
infinite capabilities  
can be combined



# MODDO 603W

BEAM



optical variants  
diversified needs  
lighting designer

 Augenti<sup>®</sup>

**MODO** WALL



**MODO**WALL

GOOD

INSTALLATION

BY **Augenti**<sup>®</sup>  
LIGHTING DESIGN



# Augenti®

LIGHTING DESIGN

FRAMON GROUP



**AUGENTI LIGHTING S.R.L. UNIPERSONALE**

Via Francesco Lana, 31 - 25065 Lumezzane (BS) Italy - tel: (+39) 030 7282524 - fax: (+39) 030 7281879  
info@augentilighting.it - www.augentilighting.it