



Augenti[®]
LIGHTING



PLAIN



THE
DETAILS
MAKE THE
DIFFERENCE

PLAIN collection

PLAIN collection

Abbiamo progettato **Plain** partendo da dei punti chiave imprescindibili: **installazione rapida e sicura, elevata dissipazione, protezione anti-condensa, manutenzione semplice e veloce.** Gli accorgimenti tecnici del prodotto permettono l'installazione e l'utilizzo di **Plain** in molteplici progetti ed in totale sicurezza, garantendone praticità, adattabilità e **durata nel tempo grazie alla struttura ed ai materiali utilizzati.** Inoltre, la miscelazione e la pulizia dei fasci luminosi, ottenuti attraverso **un'accurata scelta delle ottiche,** conferiscono a **Plain** gli elementi definitivi per renderlo un prodotto **largamente collocabile ed altamente performante.**

We have designed **Plain** starting from essential key-points: **quick and safe installation, high dissipation, anti-condensation protection, easy and fast maintenance.**

The technical expedients of the fixture allow the installation and the usage of **Plain** in different projects and in total security, granting suitability, **adaptability and long lasting** thanks to the structure and the used materials. Moreover, the mixing and the cleaning of the lighting beams, **obtained through a careful choice of the optics,** give to **Plain** the definitive elements to be a **product widely placeable and highly performing.**

Nous avons conçu **Plain** en partant de quelques points clés essentiels : **installation rapide et sûr, dissipation élevée, protection anti-condensation, maintenance rapide et facile.** Les caractéristiques techniques du produit permettent l'installation et l'utilisation de **Plain** dans de multiples projets et en toute sécurité, garantissant sa praticité, adaptabilité et **durabilité grâce à la structure et aux matériaux utilisés.**

De plus, le mélange et le nettoyage des faisceaux lumineux, **obtenus grâce à des choix d'optique,** donnent à **Plain** les éléments définitifs pour en faire un produit **largement placable et hautement performant.**

PLAIN

collection

AcquaStop è una speciale lavorazione all'interno del pressacavo che, attraverso varie fasi di resinatura, crea una vera e propria barriera, sigillando la lampada in maniera definitiva e prevenendo quindi la formazione di condensa all'interno di essa.

AcquaStop is a special process inside the cable gland which, through different phases of resination, creates a real barrier, sealing the fixture in a definitive way and preventing the development of condensation inside.

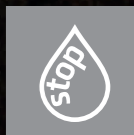
Acquastop est un procédé spécifique à l'intérieur du presse-étoupe, qui grâce à différentes mises en oeuvres de couches d'étanchéités, crée une barrière définitive à la formation de condensation à l'intérieur du luminaire.

acquaSTOP



PLAIN

collection



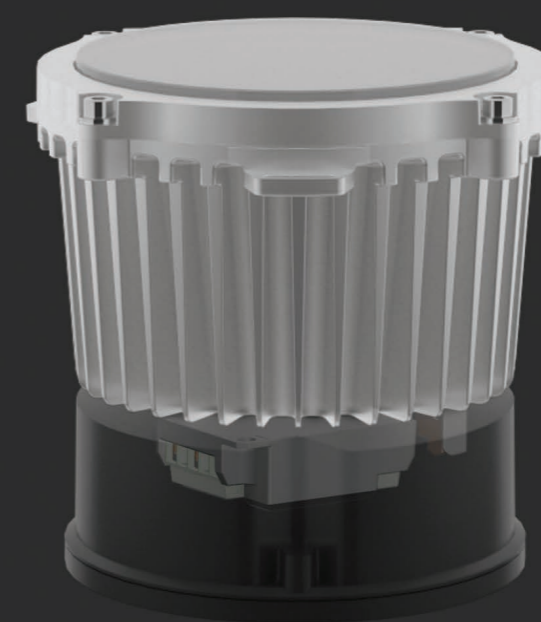
PLAIN



Carter per elettronica separato dal corpo illuminante Carter for electronics separated from the lighting body

- **MIGLIOR ISOLAMENTO TERMICO DELL'ELETTRONICA**
BETTER THERMAL INSULATION OF ELECTRONICS

- **FACILE MANUTENZIONE**
EASY MAINTENANCE



- **INSTALLAZIONE E MANUTENZIONE SENZA APERTURA DEL CORPO ILLUMINANTE**
INSTALLATION AND MAINTENANCE WITHOUT OPENING LIGHTING BODY

- **VITI INOX CON DISPOSITIVI ANTI CORROSIONE**
STAINLESS STEEL SCREWS WITH ANTI-CORROSION DEVICES

PLAIN

BEAM

NB

MB

WB

SW

AB

Augenti

PLAIN
collection



Fixture Specifications

Protection . IP 67 - IK 10

Body . Die Casting Aluminium

Carter/Box . Tecnopolymer

Frame . Steel AISI 316L

Screen . Extra-clear transparent Glass 15mm

Seals . Silicon rubber

Screws . Stainless steel A2 with anti-corrosion devices

PLAIN
led WHITE

LED SYSTEM WITH BUILT-IN DRIVER

code	beam	class	W	source	fixture	RCTLED	CRI
3200R /WC50NB99	NB Spot/15°	II	20W	2700 lm	1900 lm	3000K	80
3200R /NC50NB99	NB Spot/15°	II	20W	2850 lm	2000 lm	4000K	80
3200R /WC50MB99	MB Flood/25°	II	20W	2700 lm	1940 lm	3000K	80
3200R /NC50MB99	MB Flood/25°	II	20W	2850 lm	2040 lm	4000K	80
3200R /WC50WB99	WB Wide Flood/36°	II	20W	2700 lm	2000 lm	3000K	80
3200R /NC50WB99	WB Wide Flood/36°	II	20W	2850 lm	2100 lm	4000K	80
3200R /WC50SW99	SW Super Wide 60°	II	20W	2700 lm	2000 lm	3000K	80
3200R /NC50SW99	SW Super Wide 60°	II	20W	2850 lm	2100 lm	4000K	80
3200R /WC50AB99	AB Asymmetric	II	20W	2700 lm	1850 lm	3000K	80
3200R /NC50AB99	AB Asymmetric	II	20W	2850 lm	1950 lm	4000K	80

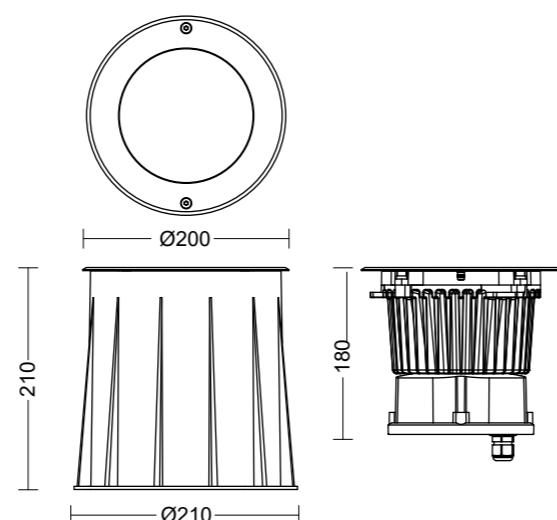
Finishes



STEEL FRAME

Technical Data

- NB** FASCIO STRETTO 15° - NARROW BEAM 15°
- MB** FASCIO MEDIO 25° - MEDIUM BEAM 25°
- WB** FASCIO LARGO 36° - WIDE BEAM 36°
- SW** FASCIO SUPER LARGO 60° - SUPER WIDE BEAM 60°
- AB** ASIMMETRICO - ASYMMETRIC

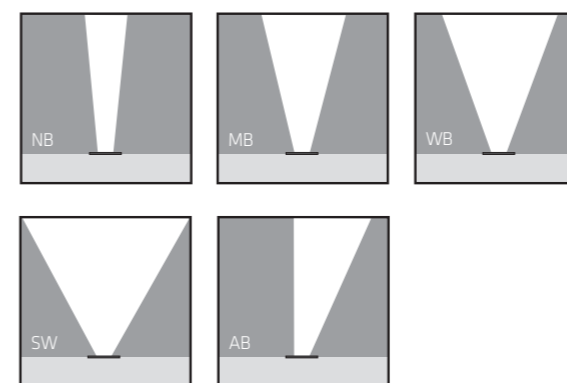


Quote espresse in millimetri "mm"
Share expressed in millimeters "mm"

Sizes . H210 x Ø210 x Ø ring 200

DRIVER INCORPORATO - BUILT-IN DRIVER

Specifications



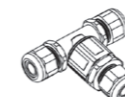
Accessories

informazioni sugli accessori sul nostro sito web
information about accessories on our website

CONNECTOR
IP68 2 ways



CONNECTOR
IP68 3 ways



Specifications



website-link

PLAIN light diffusion



Wall/Ceiling height: 5mt
Distance between luminaires: 4mt
Wall distance: 20cm

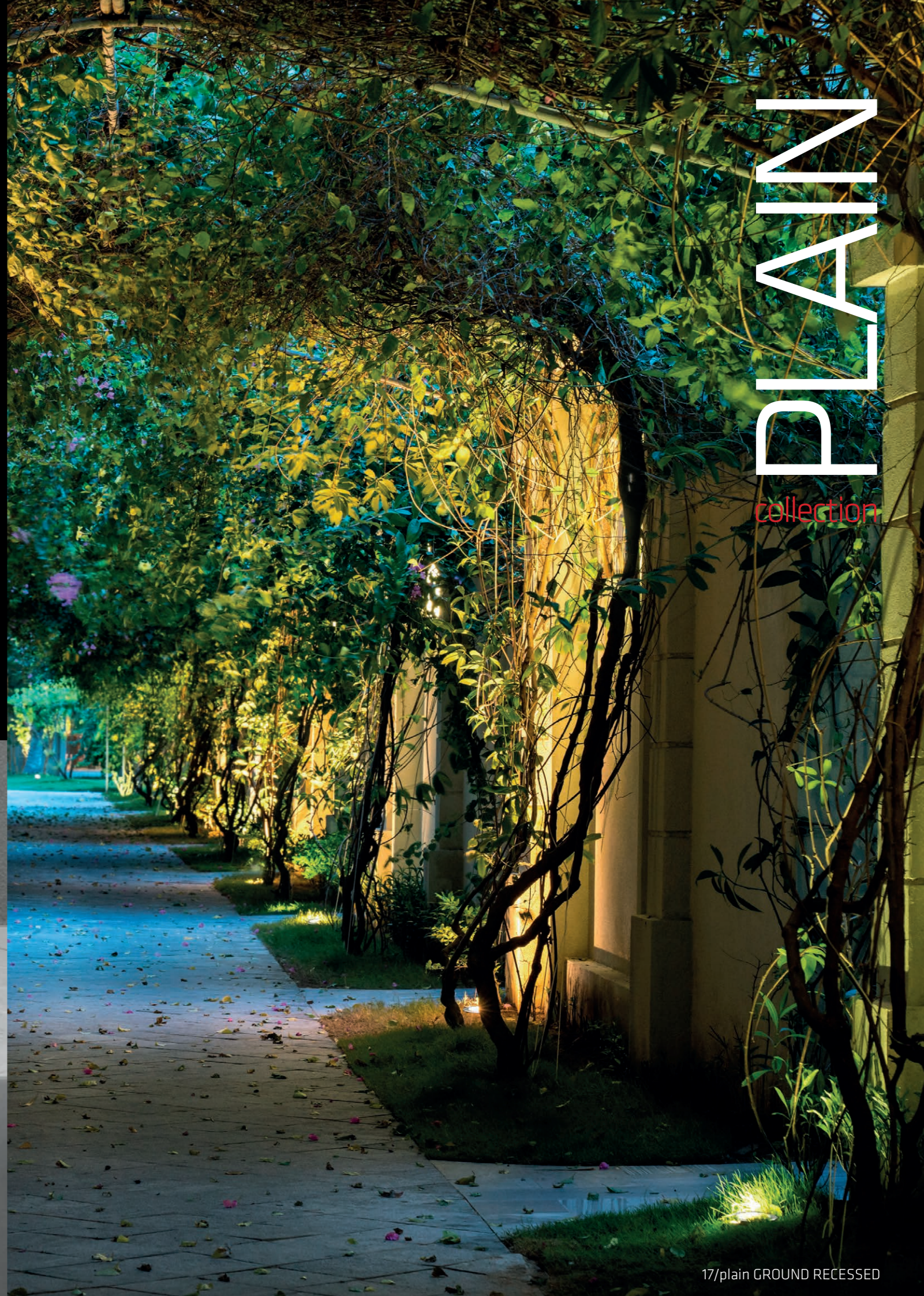
PLAIN light diffusion



Wall/Ceiling height: 5mt
Distance between luminaires: 4mt
Wall distance: 20cm



ASYMMETRIC BEAM



PLAIN
collection

PLAIN

collection



PLAIN

collection

PLAIN

GOOD

INSTALLATION

BY **Augenti**[®]
LIGHTING DESIGN



Augenti[®]
LIGHTING



AUGENTI LIGHTING S.R.L. UNIPERSONALE

Via Francesco Lana, 31 - 25065 Lumezzane (BS) Italy - tel: (+39) 030 7282524 - fax: (+39) 030 7281879
info@augentilighting.it - www.augentilighting.it